



Staisil-HLD

Acoustic Shear Dowel

Shear load dowels offering a
27% impact sound reduction
over rigid concrete floor connections

Independently
tested to
EN ISO 10140: 3: 2010:
Measurement
of impact sound
insulation

We are one team. We are Leviat.

Leviat is the new name of CRH's construction accessories companies worldwide.



Under the Leviat brand, we are uniting the expertise, skills and resources of Ancon and its sister companies to create a world leader in fixing, connecting and anchoring technology.

The products you know and trust will remain an integral part of Leviat's comprehensive brand and product portfolio.

As Leviat, we can offer you an extended range of specialist products and services, greater technical expertise, a larger

and more agile supply chain and better, faster innovation.

By bringing together CRH's construction accessories family as one global organisation, we are better equipped to meet the needs of our customers, and the demands of construction projects, of any scale, anywhere in the world.

This is an exciting change. Join us on our journey.

Read more about Leviat at Leviat.com

Our product brands include:

Ancon[®]



HALFEN

HELIFIX

ISEDIO

PLAKA

Imagine. Model. Make.

Leviat.com

Staisil-HLD

Innovative, high performance, easy-to-install, Acoustic Dowel to dampen impact noise in multi-storey developments by decoupling concrete components, replacing rigid floor connections at locations such as stairs, landings and walkways.

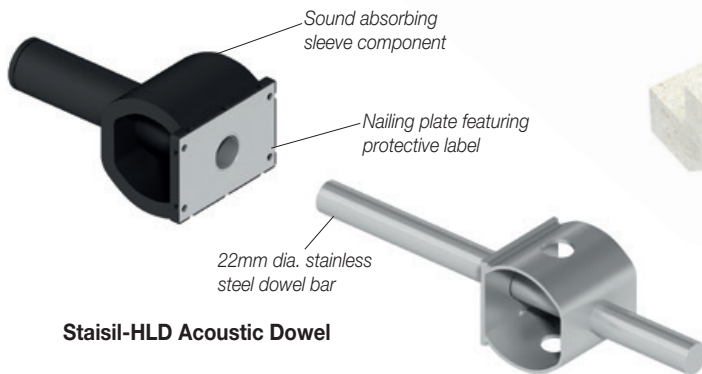
Ancon Acoustic Dowel

The Ancon Staisil-HLD Acoustic Dowel is designed to transfer shear load and allow essential movement at joints in concrete frames, while also reducing the oscillation of impact sound through a building, by isolating adjacent concrete elements.

The 22mm diameter stainless steel dowel bar is located in a sound absorbing sleeve that decouples concrete components, such as stair landings from the main structural frame.

Typical applications include multi-occupancy buildings, like hotels, apartments and hospitals, where noise can adversely affect concentration, relaxation and sleep, and has historically been a major source of complaints. Impact noise in these structures tends to originate in areas of high pedestrian traffic, and often where hard floor coverings are used to facilitate effective cleaning, such as stairways.

Product Components



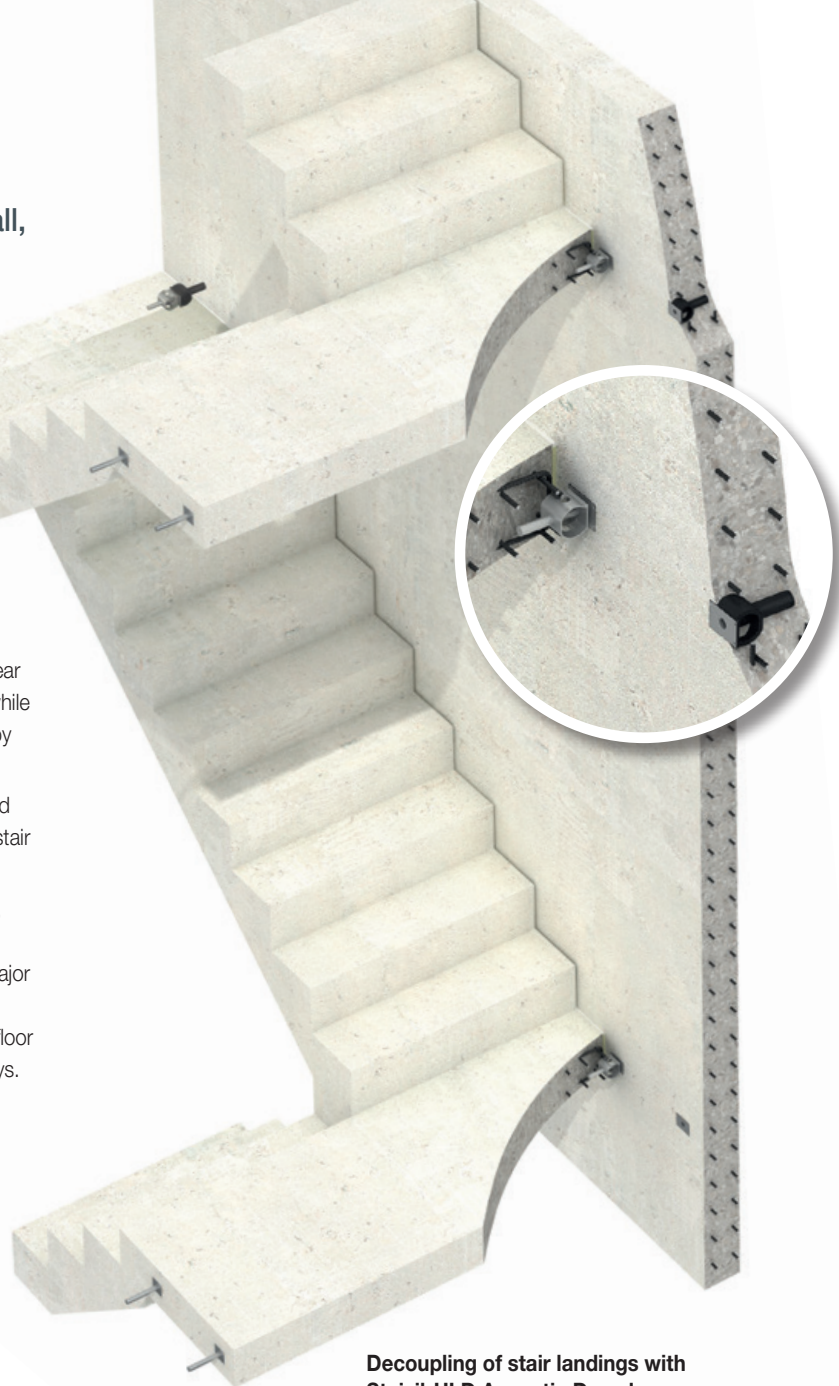
Staisil-HLD Acoustic Dowel

Acoustic Performance Testing

The Ancon Staisil-HLD has been independently tested by the Fraunhofer Institute for Building Physics in Stuttgart, a leading research authority on acoustics. Tests were conducted in accordance with EN ISO 10140: 3: 2010: Acoustics: Laboratory measurement of sound insulation of building elements: Measurement of impact sound insulation, with additional calculations to EN ISO 717-2: 2013.

A decoupled concrete configuration, featuring Staisil-HLD Acoustic Shear Dowels, offers an 18dB impact sound reduction over a rigid concrete floor connection, verified by the Fraunhofer Institute.

A control concrete specimen and a test concrete specimen were cast. The first replicated a typical rigid concrete connection, while the latter featured a pair of Staisil-HLD dowels spaced at 600mm. The acoustic performance of both specimens was calculated, with the Staisil-HLD configuration showing a 27% improvement over the control specimen.



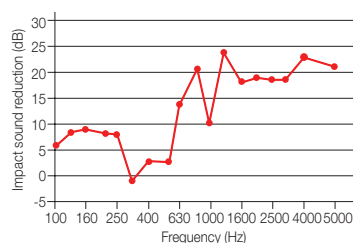
Decoupling of stair landings with Staisil-HLD Acoustic Dowels

Impact Sound Reduction

| Control Specimen* | Test Specimen* | Impact Sound Reduction of Staisil-HLD Acoustic Dowel |
|-------------------|----------------|--|
| 67 dB | 49 dB | 18 dB |

*Weighted normalised impact sound pressure level

Impact sound reduction at one-third octave bands

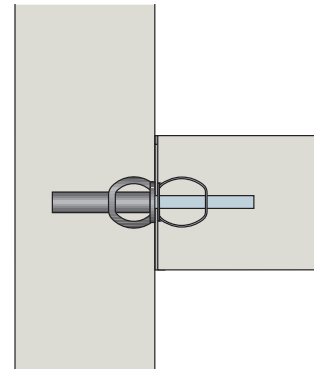


Design Capacity

F_{RD} Design Capacity (kN) for various Joint Widths and Slab Thickness

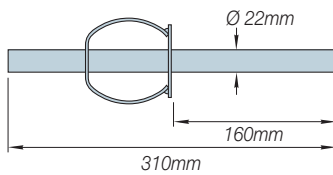
| Joint Width (mm) | Slab Thickness (mm) | | | | | | | |
|------------------|---------------------|-----|-----|-----|-----|-----|-----|-----|
| | 180 | 200 | 220 | 240 | 260 | 280 | 300 | 320 |
| 10 | 35 | 37 | 39 | 39 | 39 | 39 | 39 | 39 |
| 15 | 35 | 37 | 39 | 39 | 39 | 39 | 39 | 39 |
| 20 | 35 | 37 | 39 | 39 | 39 | 39 | 39 | 39 |
| 25 | 35 | 37 | 39 | 39 | 39 | 39 | 39 | 39 |
| 30 | 35 | 37 | 39 | 39 | 39 | 39 | 39 | 39 |
| 35 | 34 | 37 | 39 | 39 | 39 | 39 | 39 | 39 |
| 40 | 34 | 37 | 39 | 39 | 39 | 39 | 39 | 39 |
| 45 | 33 | 37 | 39 | 39 | 39 | 39 | 39 | 39 |
| 50 | 33 | 37 | 39 | 39 | 39 | 39 | 39 | 39 |
| 55 | 33 | 37 | 39 | 39 | 39 | 39 | 39 | 39 |
| 60 | 32 | 37 | 39 | 39 | 39 | 39 | 39 | 39 |

Minimum concrete grade C25/30

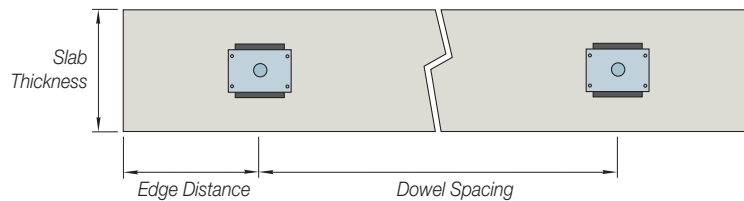
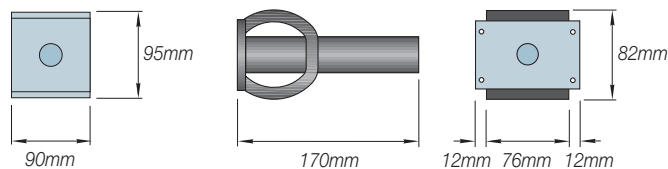


Dimensions and Spacings

Dowel



Sleeve



Minimum Dowel Spacing

| Slab Thickness (mm) | 180 | 200 | 220 | 240 | 260 | 280 | 300 | 320 |
|----------------------------|-----|-----|-----|-----|-----|-----|-----|-----|
| Minimum Edge Distance (mm) | 180 | 180 | 180 | 175 | 175 | 175 | 175 | 175 |
| Minimum Dowel Spacing (mm) | 360 | 360 | 360 | 350 | 350 | 350 | 350 | 350 |

Reinforcement Details

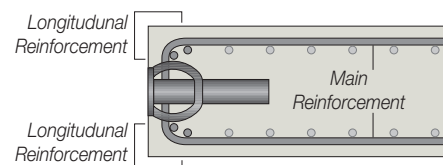
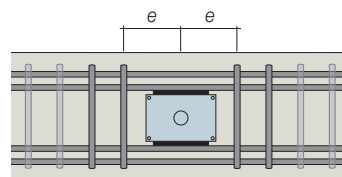
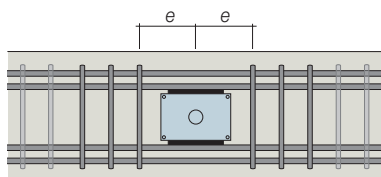
Local reinforcement is required to guarantee that the forces are transferred between the connectors and the concrete. The tables show proposals for the type and spacing of the main reinforcement, together with details of reinforcement above and below the connectors.

Options for Main Reinforcement (No. of u-bars each side)

| H10 | H12 |
|-----|-----|
| 3 | 2 |

Longitudinal Reinforcement (No. of bars top and bottom)

| H10 |
|-----|
| 2 |



Spacing of Main Reinforcement

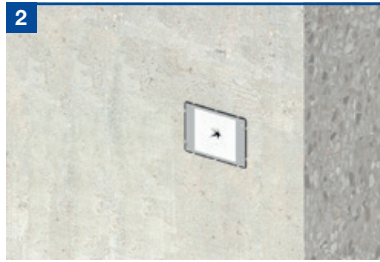
| Slab Depth (mm) | Dimension e |
|-----------------|-------------|
| 180 | 80 |
| 200-320 | 100 |

Installation

The Staisil-HLD is a two-part shear connector comprising a sleeve and a dowel component.



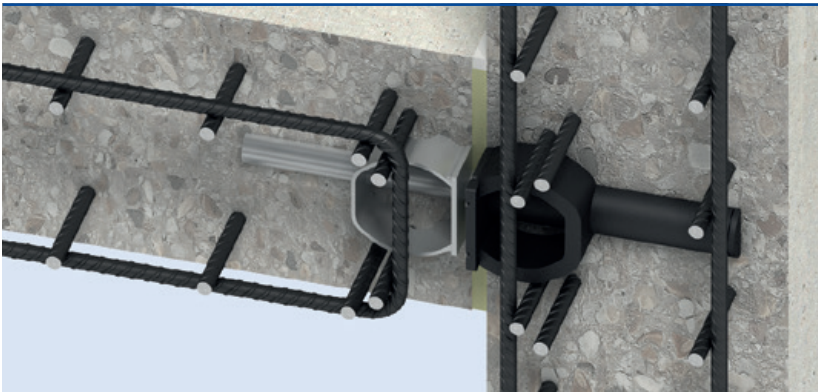
Nail the sleeve component to the shuttering ensuring that the sleeve is correctly orientated for the direction of the load. Check that the minimum spacing and edge distances are not exceeded. The label prevents debris from entering into the sleeve aperture and should not be removed. Fix all necessary reinforcement and pour the concrete.



When the concrete has achieved sufficient strength, strike the shuttering. Puncture the label to reveal the hole for the dowel.



Position compressible joint filler of an appropriate width for applications where movement is expected between two sections of concrete. Push the dowel component through the joint filler until it is fully located in the sleeve component. It may be necessary to tap the dowel component to overcome the dimple which pinch holds the dowel in the sleeve and prevents dislocation when the concrete is vibrated.



Fix the reinforcement around the dowel component and pour the concrete to complete the installation.



Leviat[®]
A CRH COMPANY

Innovative engineered products and construction solutions that allow the industry to build safer, stronger and faster.



Worldwide contacts for Leviat:

Australia

Leviat
98 Kurrajong Avenue,
Mount Druitt Sydney, NSW 2770
Tel: +61 - 2 8808 3100
Email: info.au@leviat.com

Austria

Leviat
Leonard-Bernstein-Str. 10
Saturn Tower, 1220 Wien
Tel: +43 - 1 - 259 6770
Email: info.at@leviat.com

Belgium

Leviat
Industrielaan 2
1740 Ternat
Tel: +32 - 2 - 582 29 45
Email: info.be@leviat.com

China

Leviat
Room 601 Tower D, Vantone Centre
No. A6 Chao Yang Men Wai Street
Chaoyang District
Beijing · P.R. China 100020
Tel: +86 - 10 5907 3200
Email: info.cn@leviat.com

Czech Republic

Leviat
Business Center Šafránková
Šafránková 1238/1
155 00 Praha 5
Tel: +420 - 311 - 690 060
Email: info.cz@leviat.com

Finland

Leviat
Vädursgatan 5
412 50 Göteborg / Sweden
Tel: +358 (0)10 6338781
Email: info.fi@leviat.com

France

Leviat
6, Rue de Cabanis
FR 31240 L'Union
Toulouse
Tel: +33 - 5 - 34 25 54 82
Email: info.fr@leviat.com

Germany

Leviat
Liebigstrasse 14
40764 Langenfeld
Tel: +49 - 2173 - 970 - 0
Email: info.de@leviat.com

India

Leviat
309, 3rd Floor, Orion Business Park
Ghodbunder Road, Kapurbawdi,
Thane West, Thane,
Maharashtra 400607
Tel: +91 - 22 2589 2032
Email: info.in@leviat.com

Italy

Leviat
Via F.lli Bronzetti 28
24124 Bergamo
Tel: +39 - 035 - 0760711
Email: info.it@leviat.com

Malaysia

Leviat
28 Jalan Anggerik Mokara 31/59
Kota Kemuning, 40460 Shah Alam
Selangor
Tel: +603 - 5122 4182
Email: info.my@leviat.com

Netherlands

Leviat
Oostermaat 3
7623 CS Borne
Tel: +31 - 74 - 267 14 49
Email: info.nl@leviat.com

New Zealand

Leviat
2/19 Nuttall Drive, Hillsborough,
Christchurch 8022
Tel: +64 - 3 376 5205
Email: info.nz@leviat.com

Norway

Leviat
Vestre Svanholmen 5
4313 Sandnes
Tel: +47 - 51 82 34 00
Email: info.no@leviat.com

Philippines

Leviat
2933 Regus, Joy Nostalg,
ADB Avenue
Ortigas Center
Pasig City
Tel: +63 - 2 7957 6381
Email: info.ph@leviat.com

Poland

Leviat
Ul. Obornicka 287
60-691 Poznan
Tel: +48 - 61 - 622 14 14
Email: info.pl@leviat.com

Singapore

Leviat
14 Benoi Crescent
Singapore 629977
Tel: +65 - 6266 6802
Email: info.sg@leviat.com

Spain

Leviat
Poligono Industrial Santa Ana
c/ Ignacio Zuloaga, 20
28522 Rivas-Vaciamadrid
Tel: +34 - 91 632 18 40
Email: info.es@leviat.com

Sweden

Leviat
Vädursgatan 5
412 50 Göteborg
Tel: +46 - 31 - 98 58 00
Email: info.se@leviat.com

Switzerland

Leviat
Grenzstrasse 24
3250 Lyss
Tel: +41 - 31 750 3030
Email: info.ch@leviat.com

United Kingdom

Leviat
President Way, President Park,
Sheffield, S4 7UR
Tel: +44 - 114 275 5224
Email: info.uk@leviat.com

United States of America

Leviat
6467 S Falkenburg Rd.
Riverview, FL 33578
Tel: (800) 423-9140
Email: info.us@leviat.us

For countries not listed

Email: info@leviat.com

Leviat.com

Notes regarding this catalogue

© Protected by copyright. The construction applications and details provided in this publication are indicative only. In every case, project working details should be entrusted to appropriately qualified and experienced persons. Whilst every care has been exercised in the preparation of this publication to ensure that any advice, recommendations or information is accurate, no liability or responsibility of any kind is accepted by Leviat for inaccuracies or printing errors. Technical and design changes are reserved. With a policy of continuous product development, Leviat reserves the right to modify product design and specification at any time.

Leviat®

A CRH COMPANY

For more information on these products, contact:

Leviat

98 Kurrajong Avenue
Mount Druitt, Sydney
NSW 2770
Australia

Tel: 1300 304320

Email: info.ancon.au@leviat.com

Ancon.com.au
Leviat.com

Sales Offices and Production

New South Wales, Sydney

98 Kurrajong Avenue
Mount Druitt | Sydney
NSW 2770

New South Wales, Casino

10 Irving Drive
Casino
NSW 2470

Victoria

9/63-69 Pipe Road
Laverton North | Melbourne
VIC 3026

Queensland

4/15 Terrace Place
Murarrie | Brisbane
QLD 4172

Western Australia

18 Tennant Street
Welshpool | Perth
WA 6106

Imagine. Model. Make.

Leviat.com