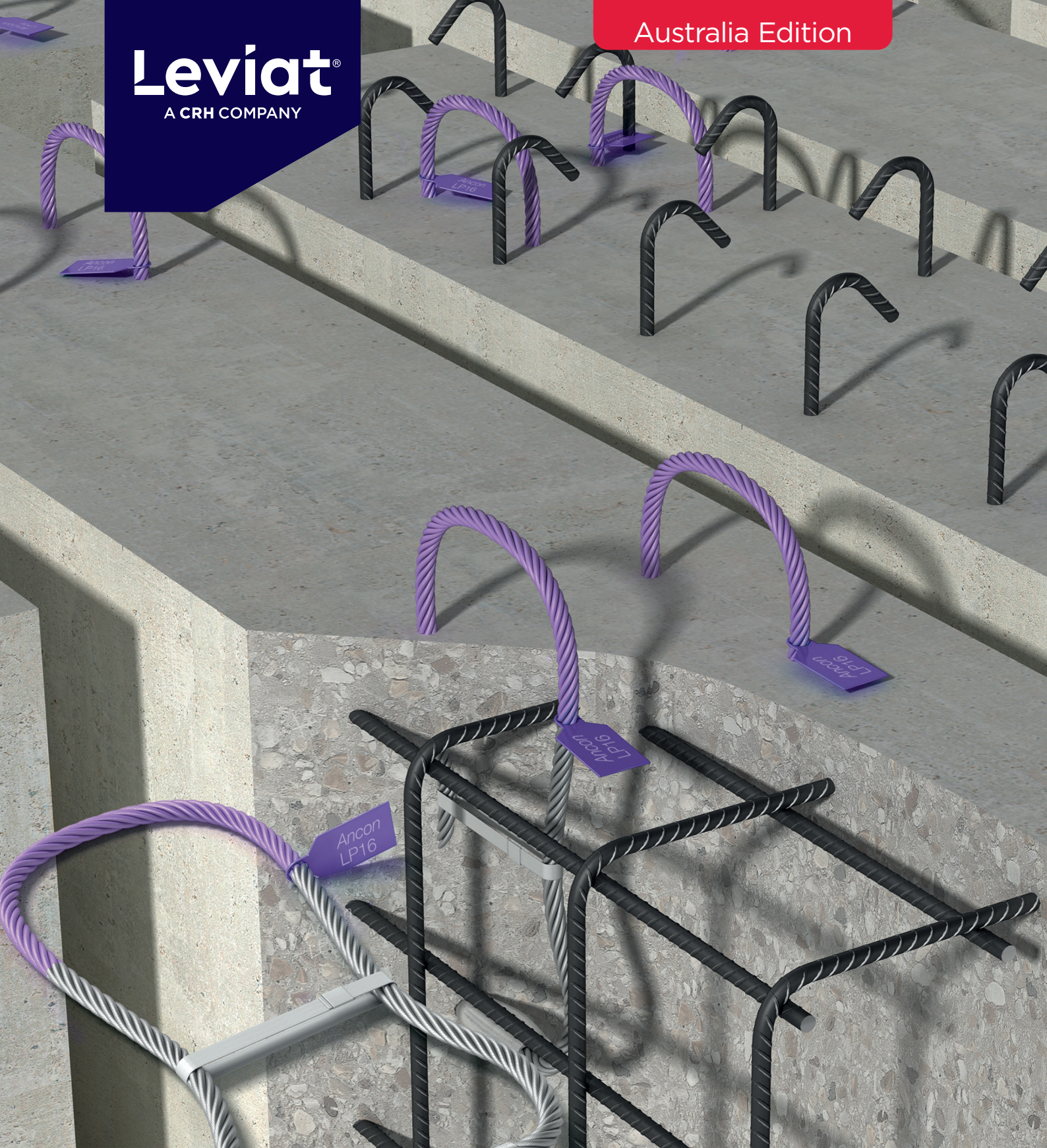


Leviat[®]
A CRH COMPANY

Australia Edition



Ancon[®]

LinkPro Lifting Loops

for the Precast Concrete Industry



We are one team. **We are Leviat.**

Leviat is the new name of CRH's construction accessories companies worldwide.

Under the Leviat brand, we have united the expertise, skills and resources of Ancon and its sister companies to create a world leader in fixing, connecting and anchoring technology.

The products you know and trust will remain an integral part of Leviat's comprehensive brand and product portfolio. As Leviat, we can offer you an extended range of specialist products and services, greater technical expertise, a larger and more agile supply chain and better, faster innovation.

By bringing together CRH's construction accessories family as one global organisation, we are better equipped to meet the needs of our customers, and the demands of construction projects, of any scale, anywhere in the world.

This is an exciting change. Join us on our journey.

Read more about Leviat at [Leviat.com](https://www.leviat.com)



Our product brands include:

Ancon[®]

Connolly

HALFEN

HELIFIX

ISEDIO

PLAKA



60

locations

sales in
30+
countries

3000

people worldwide

Imagine. Model. Make.

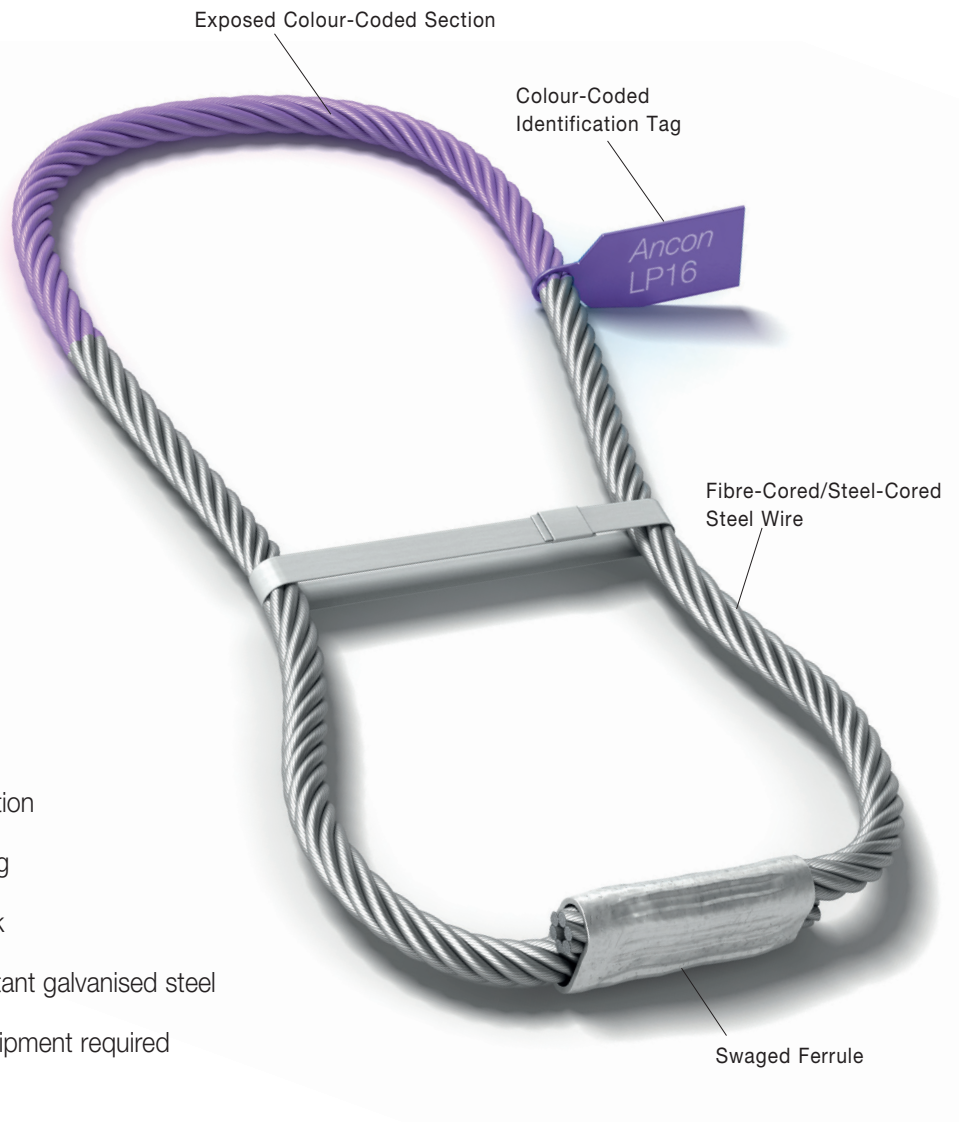
Leviat.com

Ancon LinkPro Lifting Loops

Ancon LinkPro fibre-cored/steel-cored lifting loops help to facilitate the safe and efficient handling of precast and prestressed reinforced concrete units, including bridge and shell beams

The Ancon LinkPro Lifting Loop system consists of a range of loops in 12 load classes with working loads reaching from 10t - 65t.

Each Ancon LinkPro loop is manufactured from galvanized, high strength, 1770MPa grade fibre-cored/steel-cored steel wire rope, joined with a swaged ferrule and fitted with a colour-coded tag detailing the product code, working load limit (WLL) and batch number. A colour-coded painted section, designed to be left exposed after installation, provides a visual check that the correct embedment depth has been achieved.



- ✓ Safe, reliable, fully engineered solution
- ✓ Suitable for axial and diagonal lifting
- ✓ Colour-coded for WLL visual check
- ✓ Manufactured from corrosion resistant galvanised steel
- ✓ No specialist lifting clutches or equipment required
- ✓ No recess formers required
- ✓ Suitable for use with standard lifting hooks/shackles
- ✓ Thimbles available for applications, where standard lifting equipment does not meet requirements

Design Considerations

Ancon LinkPro applications should be engineered to meet the requirements of relevant standards, e.g. AS 3600, AS 3850 for building elements, AS 5100 for bridge elements and TMR MRTS73 for prestressed concrete members, taking into consideration the rigging, element dimensions, weight, concrete strength, reinforcing etc.

System Benefits

Ancon LinkPro provides a safe, reliable, fully engineered solution for the handling of large precast concrete units used in the civil engineering sector. Ancon LinkPro is easily installed, without recess formers, ready for direct connection to standard lifting hooks and shackles.

Ancon LinkPro Lifting Loops are suitable for axial and diagonal lifting, with a maximum sling angle of 60° at the hook (maximum 30° to the vertical line), from manufacture until final installation of the precast concrete element.

The multi-stranded, fibre-cored/steel-cored construction of Ancon LinkPro features small diameter outer wires (see table for details), which generate low bending stresses when loaded.

When shackle pins are used in high load designed applications, we recommend a diameter not less than 3.5 times the rope diameter d , see page 9 for further information.

For further information, please contact the Leviat Technical Team for engineered lifting design guidance.

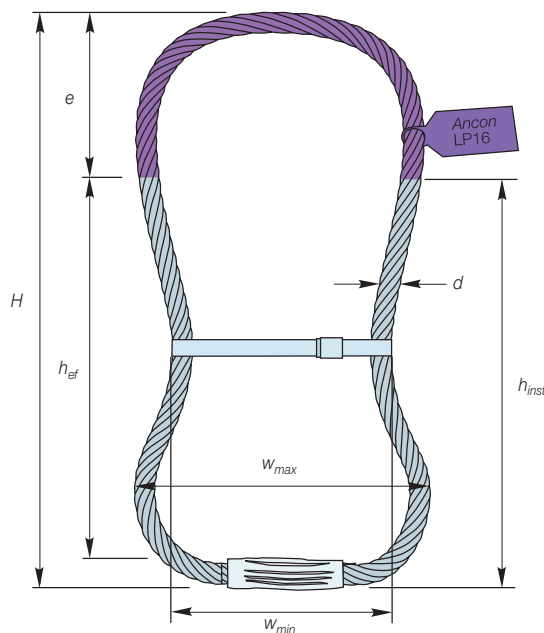


© Supertee Beam - M2PP Alliance

Ancon LinkPro Lifting Loops

Ancon LinkPro Range, Colour Codes and Dimensions

The Table below shows the dimensions of the Ancon LinkPro Lifting Loops.



Part Number	Tag Colour Code	Rope Diameter d (mm)	Overall Height H (mm)	Embedment Depth h _{ef} (mm)	Installation Depth h _{inst} (mm)	Exposed Insert Height e (mm)	Min. Width (W _{min}) (mm)	Max. Width (W _{max}) (mm)	Approx. Weight (kg)
LP10	Pink	20	525	370	390	135	185	255	2.4
LP12	Yellow	22	590	413	435	155	200	285	3.5
LP16	Lilac	24	670	465	490	180	260	330	4.5
LP20	Ochre	28	750	518	545	205	280	345	6.8
LP25	Brown	32	850	583	615	235	300	400	9.8
LP32	Black	36	870	615	650	220	310	425	12.9
LP37	Bright Orange	40	950	650	690	260	340	470	17.5
LP42	Bright Orange	44	1000	675	720	280	350	545	22.2
LP47	Bright Orange	44	1100	723	770	330	390	545	24.3
LP52	Bright Orange	48	1200	815	870	330	420	580	31.5
LP57	Bright Orange	48	1350	915	970	380	480	590	35.4
LP65	Bright Orange	50	1430	975	1030	400	590	690	43.9

Ancon LinkPro Working Load Limits

The Ancon LinkPro Lifting Loop design includes a factor of safety of 3.0, which exceeds the requirements of AS 3850.

Ancon LinkPro Lifting Loops can also be used for applications that require a Factor of Safety (FoS) of 4.0.

The table on the left shows the Working Load Limits (WLL) for Ancon LinkPro Lifting Loops for factors of safety of 3.0 and 4.0.

Part Number	WLL FoS=3 (t)	WLL FoS=4 (t)
LP10	10.0	7.5
LP12	12.5	9.4
LP16	16.0	12.0
LP20	20.0	15.0
LP25	25.0	18.8
LP32	32.0	24.0
LP37	37.0	27.8
LP42	42.0	31.5
LP47	47.0	35.3
LP52	52.0	39.0
LP57	57.0	42.8
LP65	65.0	48.8

Concrete Capacity Design

Like all other lifting anchors the Ancon LinkPro Lifting Loops depend on the tension capacity of the surrounding concrete. When being exposed to tension they activate a cone of concrete. For unrestricted concrete cones with a width of at least 3 times h_{ef} , the tension capacity is calculated using the Concrete Capacity Design (CCD) Method as specified in Appendix B of AS 3850.1:2015:

$$N_{Rk,c}^0 = k_{cr} \cdot \sqrt{f_{lift}} \cdot h_{ef}^{1.5}$$

where

k_{cr} = Factor relating to the condition of concrete
 13 – non cracked concrete
 10 – cracked concrete

f_{lift} = characteristic compressive strength of the concrete at time of lift (MPa)
 h_{ef} = effective embedment depth of the insert (mm) – see table on page 6

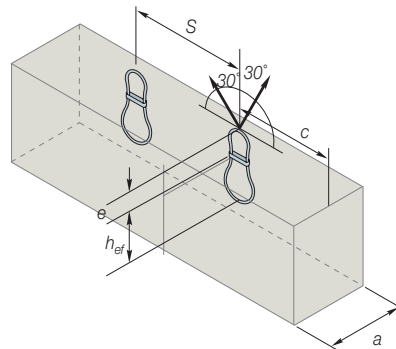
Ancon LinkPro Lifting Loops are often used in slender concrete members, so that the full cone capacity cannot be activated.

The following table shows the minimum width of the concrete member and the required edge spacing that is required to achieve the required Working Load Limit of the Lifting Loop. The values are based on an end spacing $c=1.5 \cdot h_{ef}$ and an anchor spacing $s=3.0 \cdot h_{ef}$, which means that the concrete cone is un-restricted in the longitudinal direction of the beam and only restricted in the direction perpendicular to the longitudinal direction.

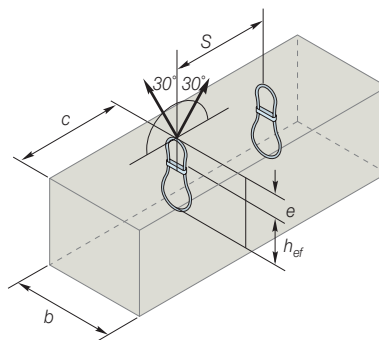
Minimum Precast Element Dimensions for lifting at 30MPa

Part Number	End Distance c (mm)	Minimum Anchor Spacing S (mm)	Minimum Precast Element Width a,b (mm)
LP10	555	1110	720
LP12	620	1239	816
LP16	698	1395	1004
LP20	777	1554	1176
LP25	875	1749	1373
LP32	923	1845	1652
LP37	975	1950	1833
LP42	1013	2025	2009
LP47	1085	2169	2168
LP52	1223	2445	2300
LP57	1373	2745	2422
LP65	1463	2925	2655

Longitudinal Installation



Transverse Installation



The dimensions in the table above are based on non-cracked concrete, the design relies on the concrete cone only, no effect from supplementary reinforcement is taken into consideration. For concrete members that do not allow the development of the required concrete cone, please refer to page 8 for recommendations on supplementary reinforcement.

Ancon LinkPro Lifting Loops

Design of Supplementary Reinforcement

In many cases the size of the concrete member is too small to allow for a sufficient concrete cone capacity. In these cases, a design of supplementary reinforcement according to EN 1992-4 – Design of fastening for use in concrete can be done utilising the existing shear reinforcement in the concrete member.

The reinforcement should be evenly distributed in the critical zone either side of a loop over the critical zone width $z = 1.5 h_{ef}$.

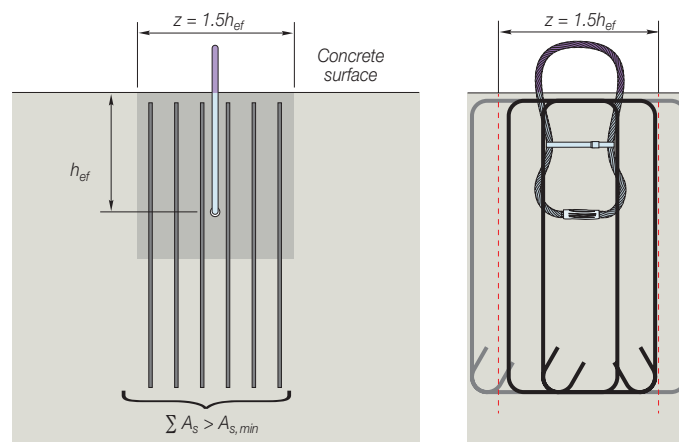
Minimum Required Supplementary Reinforcement within Critical Zone

Part Number	Critical Zone Width $z=1.5h_{ef}$ (mm)	Required Cross Section Reinforcement $A_{s,min}$ (mm ²)
LP10	555	545
LP12	620	681
LP16	698	872
LP20	777	1090
LP25	875	1363
LP32	923	1744
LP37	975	2017
LP42	1013	2289
LP47	1085	2562
LP52	1223	2834
LP57	1373	3107
LP65	1463	3543

* All cross sections based on Grade 500N reinforcement bar in accordance with AS/NZS 4671

- The preferred shape for supplementary reinforcement is closed stirrups. Other types of bars like stirrups that are not closed in the first cast to work as a connection to a consecutive cast, might not be fully developed and might only be partially effective.
- The development length of reinforcement bars depends on the concrete strength at the time of lift. A concrete strength of 30MPa is recommended.

All reinforcement must be developed in the concrete member (below the concrete crack) and in the concrete cone (above the concrete crack formed by the anchor). The required cross section in the table above assumes that the supplementary reinforcement is fully developed. If the design shear reinforcing of the precast element A_s is less than $A_{s,min}$ shown in the table, additional reinforcement e.g. hairpins, stirrups or hooked bars should be added to increase the area to $A_{s,min}$. The ties should be evenly and closely spaced around the Ancon LinkPro loop at approximately 50mm spacing while complying with bar spacing requirements of relevant design standards.



Reinforcement Details

Reinforcement should be designed by the lifting design engineer, detailed on the shop drawings and placed in accordance with the approved lifting design. Where additional reinforcement is required, ensure it is not in contact with the swaged ferrule.

In the transverse installation, if any bars need to be cut to install the loop, they should be replaced by bars of the same size and lapped in accordance with the relevant design standard.

For applications which fall outside the scope of the table, please contact the Leviat Technical Team for design guidance.

Installation, Lifting and Handling

Pre-Installation

Store to avoid any damage to loops. Check Ancon LinkPro for defects prior to casting. Loops with evidence of mechanical damage, kinking, broken or unravelled wires, crushing, wear, corrosion or other serious damage should be discarded. If in doubt, contact Leviat.

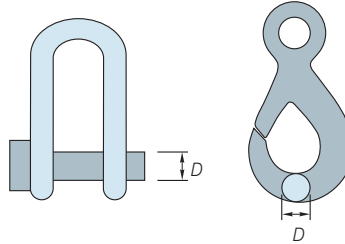
Installation

Carefully place Ancon LinkPro in its correctly measured position between the reinforcement, with the swaged ferrule at the bottom and the coloured ferrule at the top and the coloured section and WLL tag left exposed at the top. Tie to the reinforcement to minimise movement during casting. Ensure the swaged ferrule does not come into contact with the reinforcing bars or prestressing strand.

Ancon LinkPro should be placed and aligned either parallel (longitudinal installation) or perpendicular (transverse installation) to the direction of the expected load in accordance with the shop drawings, as approved by the lifting design engineer. The specified loop capacities, embedment depths, spacing and edge distances should be strictly adhered to. During installation, take care not to damage the exposed lifting section of the loops. When installing Ancon LinkPro ensure the band around the loop is not removed. For guidance, please contact Leviat's Technical Team.

Notes

- Ensure that the rigging configuration does not result in a lever arm or bending moment during hook up
- When using crane hooks, Leviat recommends lifting with $D/d = 3.5$, where D is the hook diameter and d is the rope diameter of the Ancon LinkPro.

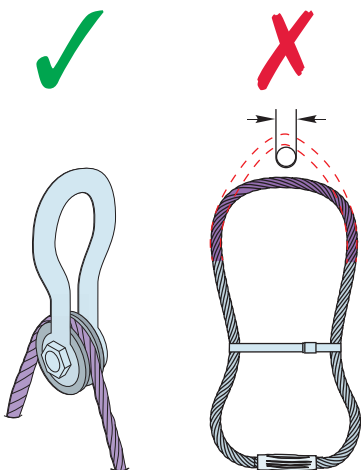


In addition, when lifting with large Ancon LinkPro sizes (LP20 and above) Leviat recommends lifting with Ancon LinkPro Thimbles so the correct radius is on the loop to ensure safe lifting

- Do not bend Ancon LinkPro to an angle greater than 30° during any lifting, handling or storage of the precast elements prior to the final installation of the precast element
- Where precast elements are to be stacked, sufficient separators must be used between the precast elements to prevent damage to Ancon LinkPro by bending beyond 30° , mechanical damage, crushing or abrasion
- After installation/use, the exposed loop may be cut off as required. Consideration should be given to corrosion protection of the cut ends if they are to remain exposed

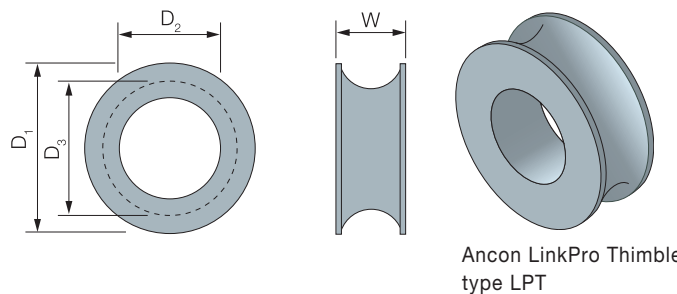
Leviat Thimbles for Ancon LinkPro Lifting Loops

Part Number	Lifting Loops	D ₁ (mm)	D ₂ (mm)	D ₃ (mm)	W (mm)
LPS10-16T	LP10 - LP16	70	40	50	65
LPT10-16T	LP10 - LP16	110	60	85	40
LPT20-25T	LP20 - LP25	150	85	117	48
LPT32-37T	LP32 - LP37	185	100	140	56
LPT42-57T	LP42 - LP65	230	135	179	64

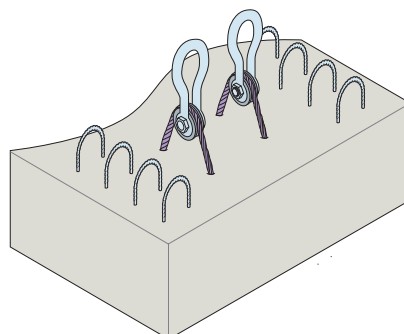


Use of Ancon LinkPro Thimble avoids kinking

Dangerous kink through use of wrong lifting gear



Ancon LinkPro Thimble type LPT



Ancon LinkPro Thimble type LPS

Worldwide contacts for Leviat:

Australia

Leviat
98 Kurrajong Avenue,
Mount Druitt Sydney, NSW 2770
Tel: +61 - 2 8808 3100
Email: info.au@leviat.com

Austria

Leviat
Leonard-Bernstein-Str. 10
Saturn Tower, 1220 Wien
Tel: +43 - 1 - 259 6770
Email: info.at@leviat.com

Belgium

Leviat
Industrielaan 2
1740 Ternat
Tel: +32 - 2 - 582 29 45
Email: info.be@leviat.com

China

Leviat
Room 601 Tower D, Vantone Centre
No. A6 Chao Yang Men Wai Street
Chaoyang District
Beijing · P.R. China 100020
Tel: +86 - 10 5907 3200
Email: info.cn@leviat.com

Czech Republic

Leviat
Business Center Šafránková
Šafránková 1238/1
155 00 Praha 5
Tel: +420 - 311 - 690 060
Email: info.cz@leviat.com

Finland

Leviat
Vädursgatan 5
412 50 Göteborg / Sweden
Tel: +358 (0)10 6338781
Email: info.fi@leviat.com

France

Leviat
6, Rue de Cabanis
FR 31240 L'Union
Toulouse
Tel: +33 - 5 - 34 25 54 82
Email: info.fr@leviat.com

Germany

Leviat
Liebigstrasse 14
40764 Langenfeld
Tel: +49 - 2173 - 970 - 0
Email: info.de@leviat.com

India

Leviat
309, 3rd Floor, Orion Business Park
Ghodbunder Road, Kapurbawdi,
Thane West, Thane,
Maharashtra 400607
Tel: +91 - 22 2589 2032
Email: info.in@leviat.com

Italy

Leviat
Via F.lli Bronzetti 28
24124 Bergamo
Tel: +39 - 035 - 0760711
Email: info.it@leviat.com

Malaysia

Leviat
28 Jalan Anggerik Mokara 31/59
Kota Kemuning, 40460 Shah Alam
Selangor
Tel: +603 - 5122 4182
Email: info.my@leviat.com

Netherlands

Leviat
Oostermaat 3
7623 CS Borne
Tel: +31 - 74 - 267 14 49
Email: info.nl@leviat.com

New Zealand

Leviat
2/19 Nuttall Drive, Hillsborough,
Christchurch 8022
Tel: +64 - 3 376 5205
Email: info.nz@leviat.com

Norway

Leviat
Vestre Svanholmen 5
4313 Sandnes
Tel: +47 - 51 82 34 00
Email: info.no@leviat.com

Philippines

Leviat
2933 Regus, Joy Nostalg,
ADB Avenue
Ortigas Center
Pasig City
Tel: +63 - 2 7957 6381
Email: info.ph@leviat.com

Poland

Leviat
Ul. Obornicka 287
60-691 Poznań
Tel: +48 - 61 - 622 14 14
Email: info.pl@leviat.com

Singapore

Leviat
14 Benoi Crescent
Singapore 629977
Tel: +65 - 6266 6802
Email: info.sg@leviat.com

Spain

Leviat
Polígono Industrial Santa Ana
c/ Ignacio Zuloaga, 20
28522 Rivas-Vaciamadrid
Tel: +34 - 91 632 18 40
Email: info.es@leviat.com

Sweden

Leviat
Vädursgatan 5
412 50 Göteborg
Tel: +46 - 31 - 98 58 00
Email: info.se@leviat.com

Switzerland

Leviat
Grenzstrasse 24
3250 Lyss
Tel: +41 - 31 750 3030
Email: info.ch@leviat.com

United Arab Emirates

Leviat
RA08 TB02, PO Box 17225
JAFZA, Jebel Ali, Dubai
Tel: +971 (0)4 883 4346
Email: info.ae@leviat.com

United Kingdom

Leviat
President Way, President Park,
Sheffield, S4 7UR
Tel: +44 - 114 275 5224
Email: info.uk@leviat.com

United States of America

Leviat
6467 S Falkenburg Rd.
Riverview, FL 33578
Tel: (800) 423-9140
Email: info.us@leviat.us

For countries not listed

Email: info@leviat.com

Leviat.com

Notes regarding this catalogue

© Protected by copyright. The construction applications and details provided in this publication are indicative only. In every case, project working details should be entrusted to appropriately qualified and experienced persons. Whilst every care has been exercised in the preparation of this publication to ensure that any advice, recommendations or information is accurate, no liability or responsibility of any kind is accepted by Leviat for inaccuracies or printing errors. Technical and design changes are reserved. With a policy of continuous product development, Leviat reserves the right to modify product design and specification at any time.

For more information on the following products, please contact:

**Masonry, Structural and
Precast Concrete products:**

Tel: 1300 304 320
Email: info.ancon.au@leviat.com
Web: Ancon.com.au

**Concrete Floor Jointing
products:**

Tel: 1800 335 215
Email: info.connolly.au@leviat.com
Web: Connollykeyjoint.com

**Remedial Masonry
products:**

Tel: 1300 667 071
Email: info.helifix.au@leviat.com
Web: Helifix.com.au

Email: info.isedio.au@leviat.com
Web: Isedio.com.au

General Enquiries

Tel: 1300 304 320
Email: info.au@leviat.com
Web: Leviat.com

Sales Offices and Production

New South Wales, Sydney

98 Kurrajong Avenue
Mount Druitt | Sydney
NSW 2770

New South Wales, Casino

10 Irving Drive
Casino
NSW 2470

Victoria

9/63-69 Pipe Road
Laverton North | Melbourne
VIC 3026

Queensland

4/15 Terrace Place
Murarrie | Brisbane
QLD 4172

Western Australia

18 Tennant Street
Welshpool | Perth
WA 6106

Leviat.com

Leviat[®]
A CRH COMPANY

Imagine. Model. Make.

Leviat.com