

Leviat[®]
A CRH COMPANY



HALFEN POWERCLICK **REFERENZEN / REFERENCES**





We are one team. **We are Leviat.**

Leviat is the new name of CRH's construction accessories companies worldwide.

Under the Leviat brand, we are uniting the expertise, skills and resources of HALFEN and its sister companies to create a world leader in fixing, connecting and anchoring technology.

The products you know and trust, including the Powerclick system, will remain an integral part of Leviat's comprehensive brand and product portfolio. As Leviat, we can offer you an extended range of specialist products and services, greater technical expertise, a larger and more agile supply chain and better, faster innovation.

By bringing together CRH's construction accessories family as one global organisation, we are better equipped to meet the needs of our customers, and the demands of construction projects, of any scale, anywhere in the world.

This is an exciting change. Join us on our journey.

Read more about Leviat at [Leviat.com](https://www.leviat.com)



Our product brands include:

Ancon[®]


HALFEN

PLAKA



60
locations

sales in
30+
countries

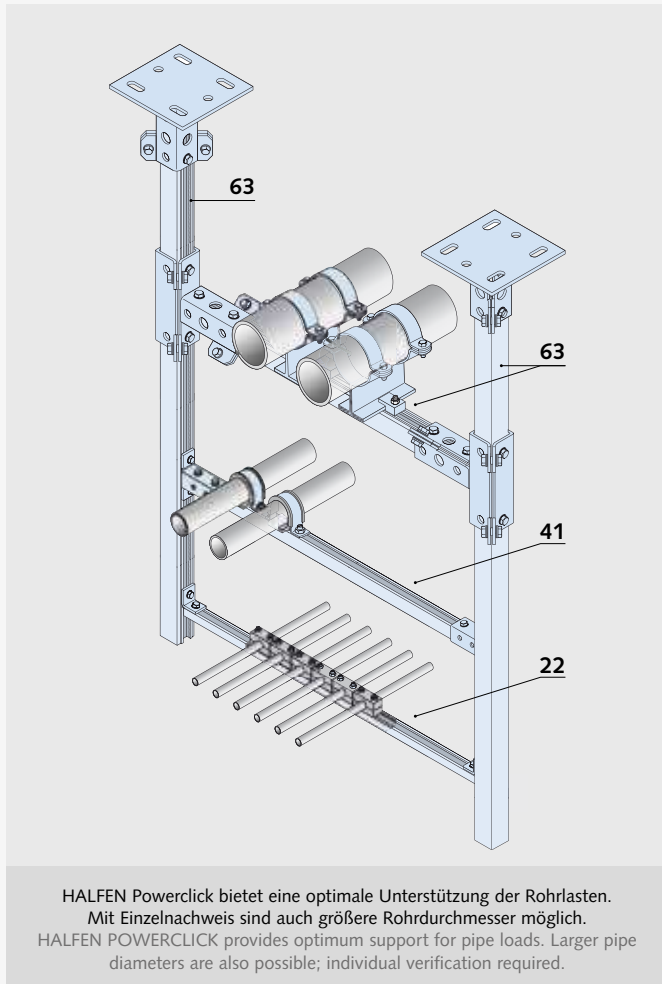
3000
people worldwide

Imagine. Model. Make.

Leviat.com

HALFEN POWERCLICK SYSTEMÜBERSICHT / SYSTEM OVERVIEW

Modulare Rohrhalterungs-Systeme Modular pipe supports systems



Vorteile Benefits

- › Leichtes Gewicht mit hoher Torsionssteifigkeit
Light weight with high torsional stiffness
- › Modular & justierbar
Modular & adjustable
- › Kein Schweißen
No welding
- › Spart Zeit & Kosten
Time & cost saving

DREI GRÖSSEN – EIN SYSTEM THREE SIZES – ONE SYSTEM



63 41 22



**kompatible Verbindungsteile und
umfangreiches Zubehör**
compatible connecting parts
and extensive accessories



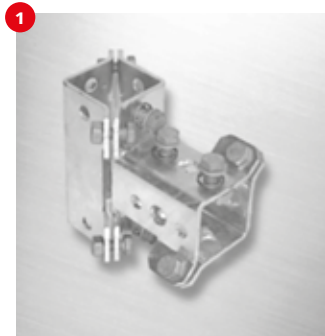
**eine vormontierte POWERCLICK Schraube
für alle Anwendungen**
one type of pre-assembled
POWERCLICK bolt for all applications



HALFEN POWERCLICK

HALFEN POWERCLICK SYSTEMÜBERSICHT / SYSTEM OVERVIEW

Modulare Rohrhalterungs-Systeme Modular pipe supports systems



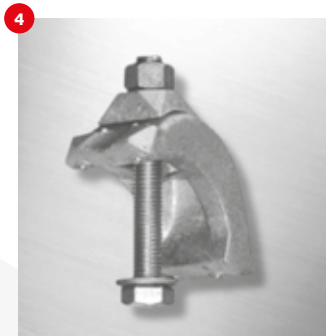
1
Eckverbinder für räumliche
Konstruktionen
Corner connector for
three-dimensional supports



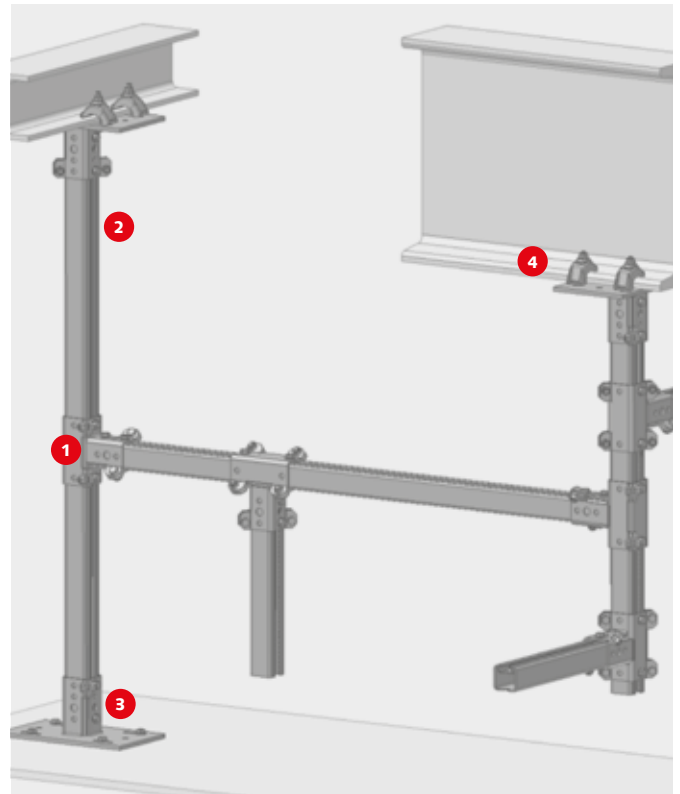
2
Montageschienen für alle
Rohrunterstützungen
Framing channels for all pipe
support systems



3
Stützenfuß für alle
Anbindevarianten
Support foot for all
connection types



4
Trägerklemme für alle
Trägergrößen
Beam clamp for all
beam sizes



Nur 4 Basisbauteile für räumliche Konstruktionen –
12 Bauteile für 90 % aller Unterstützungsvarianten
Only 4 different basic elements needed to create a main support structure –
12 construction elements for 90% of all supports

HALFEN POWERCLICK 3D Planungstools / 3D planning tools

- > 2D & 3D Bauteil-Bibliotheken (AutoCad, DWG, STEP)
2D & 3D Part Libraries (AutoCad, DWG, STEP)
- > Typen-Kataloge (Excel, PDF)
Typical-Catalogues (Excel, PDF)
- > Aveva Planungs-Tool für PDMS & E3D
Aveva Planning-Tool for PDMS & E3D
- > Intergraph Planungs-Tool für PDS & Smart 3D
Intergraph Planning-Tool for PDS & Smart 3D



HALFEN POWERCLICK

CHEMIE / CHEMICAL INDUSTRY

Referenzen

References

- > Allessa, Frankfurt (D)
- > BASF Antwerpen (B)
- > BASF Düsseldorf (B)
- > BASF Freeport (USA)
- > BASF Geismar (USA)
- > BASF Ludwigshafen (D)
- > BASF Minden (D)
- > BASF Münster (D)
- > BASF Schwarzheide (D)
- > BASF Tarragona (E)
- > Bayer AG, Bitterfeld (D)
- > Bayer AG, Wuppertal (D)
- > Bayer Healthcare, Leverkusen (D)
- > BP, Rotterdam (NL)
- > Bunge Loders Crooklan, Maasvlakte (NL)
- > Cargill, Sas van Gent (NL)
- > Cargill, Manchester (GB)
- > Covestro, Antwerpen (B)
- > Covestro, Dormagen (D)
- > Covestro, Leverkusen (D)
- > Clariant, Gersthofen (D)
- > Clariant, Knapsack (D)
- > Cyclis, Schwarzheide (D)
- > Dow, Barry (GB)



CHEMIE / CHEMICAL INDUSTRY

Referenzen

References

- > Dow, Schkopau (D)
- > Dow, Tarragona (E)
- > Dow, Terneuzen (NL)
- > Dow, Vlissingen (NL)
- > DSM, Geelen (NL)
- > DSM, Emmen (NL)
- > DSM, Meppen (D)
- > DuPont, Hamm (D)
- > DyStar, Leverkusen (D)
- > DyStar, Frankfurt (D)
- > Enviro, Roßdorf (D)
- > Evonik, Antwerpen (B)
- > Evonik Degussa, Bitterfeld (D)
- > Evonik, Essen (D)
- > Evonik, Krefeld (D)
- > Evonik, Marl (D)
- > Evonik, Medavox (I)
- > Henkel, Heidelberg (D)
- > Hi-Bis, Bitterfeld (D)
- > Ineos Phenol, Gladbeck (D)
- > Ineos, Zwijndrecht (B)
- > Kao, Emmerich (D)
- > Lanxess, Antwerpen (B)
- > LyondellBasell, Frankfurt (D)
- > LyondellBasell, Maasvlakte (NL)
- > LyondellBasell, Wesseling (D)
- > Novasep, Leverkusen (D)
- > Rütgers, Castrop-Rauxel (D)
- > Sasol, Brunsbüttel (D)
- > Sasol, Marl (D)
- > Shin-Etsu, Rotterdam (NL)
- > Solvay Fluor, Bad Wimpfen (D)
- > Wacker, Burghausen (D)



© novasep

CHEMIE / CHEMICAL INDUSTRY



CHEMIE / CHEMICAL INDUSTRY



CHEMIE / CHEMICAL INDUSTRY



© BASF

HALFEN POWERCLICK BIODIESEL / BIODIESEL

Referenzen

References

- > Air Liquide, Carparroso (I)
- > Air Liquide, Malchin (D)
- > Air Liquide, Halle (D)
- > AT Agrartechnik, Trzebinia (PL)



HALFEN POWERCLICK PHARMA / PHARMA

Referenzen

References

- › Bayer Healthcare, Wuppertal (D)
- › Merck, Darmstadt (D)
- › BYK, Wesel (D)
- › Sanofi Aventis, Frankfurt (D)
- › Ciba, Maastricht (NL)



HALFEN POWERCLICK INFRASTRUKTUR / INFRASTRUCTURE

Referenzen

References

- > Turtmann-Tunnel (CH)
- > Umicore, Brugge (B)



HALFEN POWERCLICK ELEKTRIZITÄTSWERKE / POWER STATIONS

Referenzen

References

- › AEW UW, Kaiseraugst (CH)
- › ewz, Sils im Domleschg (CH)



ELEKTRIZITÄTSWERKE / POWER STATIONS



HALFEN POWERCLICK RAFFINERIEEN UND OFFSHORE / REFINERIES AND OFFSHORE

Referenzen Raffinerien References Refineries

- › BP, Rotterdam (NL)
- › BP, Gelsenkirchen (D)
- › BP, Köln (D)
- › BP, Lingen (D)
- › Shell, Köln (D)
- › Shell, Singapur (SGP)
- › Total, Leuna (D)

Referenzen Offshore References Offshore

- › Wintershall, Nordsee (NL)
- › ONEgas, Nordsee (NL)
- › BP Rhum, Nordsee (UK)
- › RWE/DEA Friedrichskoog, Nordsee (D)



HALFEN POWERCLICK FÖRDERTECHNIK / CONVEYER EQUIPMENT

Referenzen

References

- > Siemens, Kamp-Lintfort (D)
- > Aluminal, Staudt (D)





Leviat®
A CRH COMPANY

Innovative engineered products and construction solutions that allow the industry to build safer, stronger and faster.



Worldwide contacts for Leviat:

Australia

Leviat
98 Kurrajong Avenue,
Mount Druitt Sydney, NSW 2770
Tel: +61 - 2 8808 3100
Email: info.au@leviat.com

Austria

Leviat
Leonard-Bernstein-Str. 10
Saturn Tower, 1220 Wien
Tel: +43 - 1 - 259 6770
Email: info.at@leviat.com

Belgium

Leviat
Borkelstraat 131
2900 Schoten
Tel: +32 - 3 - 658 07 20
Email: info.be@leviat.com

China

Leviat
Room 601 Tower D, Vantone Centre
No. A6 Chao Yang Men Wai Street
Chaoyang District
Beijing · P.R. China 100020
Tel: +86 - 10 5907 3200
Email: info.cn@leviat.com

Czech Republic

Leviat
Business Center Šafránková
Šafránková 1238/1
155 00 Praha 5
Tel: +420 - 311 - 690 060
Email: info.cz@leviat.com

France

Leviat
18, rue Goubet
75019 Paris
Tel: +33 - 1 - 44 52 31 00
Email: info.fr@leviat.com

Germany

Leviat
Liebigstrasse 14
40764 Langenfeld
Tel: +49 - 2173 - 970 - 0
Email: info.de@leviat.com

Italy

Leviat
Via F.lli Bronzetti N° 28
24124 Bergamo
Tel: +39 - 035 - 0760711
Email: info.it@leviat.com

Malaysia

Leviat
28 Jalan Anggerik Mokara 31/59
Kota Kemuning, 40460 Shah Alam
Selangor
Tel: +603 - 5122 4182
Email: info.my@leviat.com

Netherlands

Leviat
Oostermaat 3
7623 CS Borne
Tel: +31 - 74 - 267 14 49
Email: info.nl@leviat.com

New Zealand

Leviat
2/19 Nuttall Drive, Hillsborough,
Christchurch 8022
Tel: +64 - 3 376 5205
Email: info.nz@leviat.com

Norway

Leviat
Vestre Svanholmen 5
4313 Sandnes
Tel: +47 - 51 82 34 00
Email: info.no@leviat.com

Poland

Leviat
Ul. Obornicka 287
60-691 Poznan
Tel: +48 - 61 - 622 14 14
Email: info.pl@leviat.com

Singapore

Leviat
14 Benoi Crescent
Singapore 629977
Tel: +65 - 6266 6802
Email: info.sg@leviat.com

Spain

Leviat
Polígono Industrial Santa Ana
c/ Ignacio Zuloaga, 20
28522 Rivas-Vaciamadrid
Tel: +34 - 91 632 18 40
Email: info.es@leviat.com

Sweden

Leviat
Vädursgatan 5
412 50 Göteborg
Tel: +46 - 31 - 98 58 00
Email: info.se@leviat.com

Switzerland

Leviat
Hertistrasse 25
8304 Wallisellen
Tel: +41 - 44 - 849 78 78
Email: info.ch@leviat.com

United Kingdom

Leviat
A1/A2 Portland Close
Houghton Regis LU5 5AW
Tel: +44 - 1582 - 470 300
E-Mail: info.uk@leviat.com

United States of America

Leviat
6467 S Falkenburg Rd.
Riverview, FL 33578
Tel: (800) 423-9140
Email: info.us@leviat.us

For countries not listed

Email: info@leviat.com

Leviat.com

For information on certified management systems and standards see www.ancon.co.uk | www.aschwanden.com | www.halfen.com

Notes regarding this catalogue

© Protected by copyright. The construction applications and details provided in this publication are indicative only. In every case, project working details should be entrusted to appropriately qualified and experienced persons. Whilst every care has been exercised in the preparation of this publication to ensure that any advice, recommendations or information is accurate, no liability or responsibility of any kind is accepted by Leviat for inaccuracies or printing errors. Technical and design changes are reserved. With a policy of continuous product development, Leviat reserves the right to modify product design and specification at any time.



Imagine. Model. Make.

Leviat.com