

FULLY COMPLIANT WITH AS 5216:2021

Full product range of HALFEN HZA DYNAGRIP serrated anchor channels

NEW / ETA



All features at a glance:



> Complies with Australian standard AS 5216:2021



> Suitable for 3D-loads: Strong mechanically locked connection in longitudinal direction



> User-friendly design software, BIM and CAD files



> Complete product range of serrated channel types for various applications



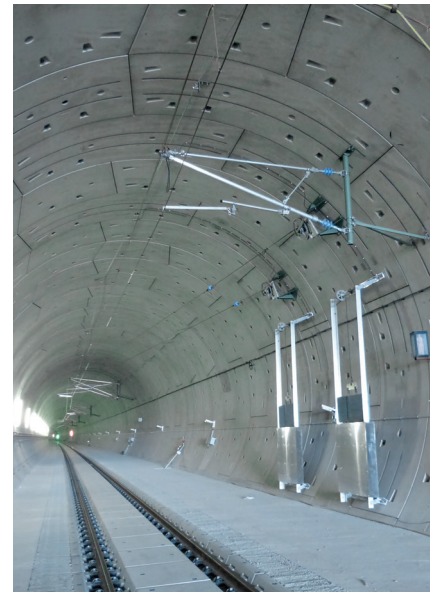
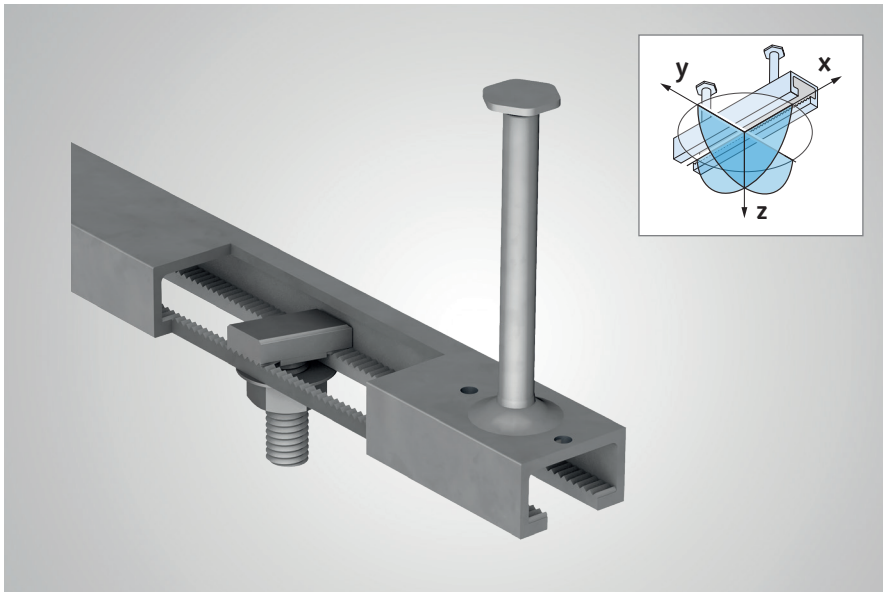
> Highest dynamic load capacities



> CE marking with European Technical Assessment

DYNAGRIP – QUALITY AND SAFETY IN 3D CHANNEL FIXINGS

Features and benefits of HALFEN HZA DYNAGRIP serrated anchor channels



Hot-rolled, serrated HALFEN HZA DYNAGRIP serrated anchor channels were selected here as they met the multi-directional, dynamic and seismic load requirements. In addition, the channels also met the fire and corrosion protection required by the project.

For decades, HALFEN serrated anchor channels have been used in applications where 3D-load transfer needed to be verified. This method of design involved numerous variables in which the boundary conditions could only be determined using individual manufacturer compiled values. Now, a new ETA in combination with AS 5216:2021 design provides maximum potential to consider all application relevant boundary conditions.

BEST TECHNICAL AND ECONOMICAL SOLUTION

Channel applications can now be planned using state-of-the-art design principles. This ensures Leviat finds the best technical and economical solution for your applications.

STRONG PERFORMANCE

High load capacity in all directions. Serrated, hot-rolled, low stress channel profiles provide highest resistance to dynamic, impact and seismic loads.

MAXIMUM PLANNING RELIABILITY

With their European Technical Assessment (ETA), HALFEN HZA serrated anchor channels fulfil all requirements of AS 5216:2021 and can be used in projects across Australia. No additional certification is required. Our complimentary, user-friendly design software allows easy and efficient, structural verifications in accordance with AS 5216:2021.

Please visit www.ancon.com.au for more information



HALFEN HZA DYNAGRIP Channels cast vertically in columns to connect further components.

Leviat

Please contact Leviat for more information on these products. Full contact details are available online at Leviat.com.