

Lifting Clutches

Leviat's range of lifting clutches comprises the Ancon UniLift Locking Klaw and the Halfen DEHA Universal Lifting Clutch.

Together, they provide the ideal lifting and handling system for a wide variety of precast concrete products, particularly in civil engineering applications, and are recognised for their superior safety features which protect against unwanted disconnection.

The range is suitable for working load limits from 1.3t to 32t.

- One range comprising two leading brands
- Fast, safe, efficient handling of precast products
- Recessed anchors avoid remedial work
- Compatible with other spherical head lifting anchors
- Meet the requirements of AS3850 and all international standards
- Test certificates available



Ancon UniLift Locking Klaw
WLL 1.3t - 32t



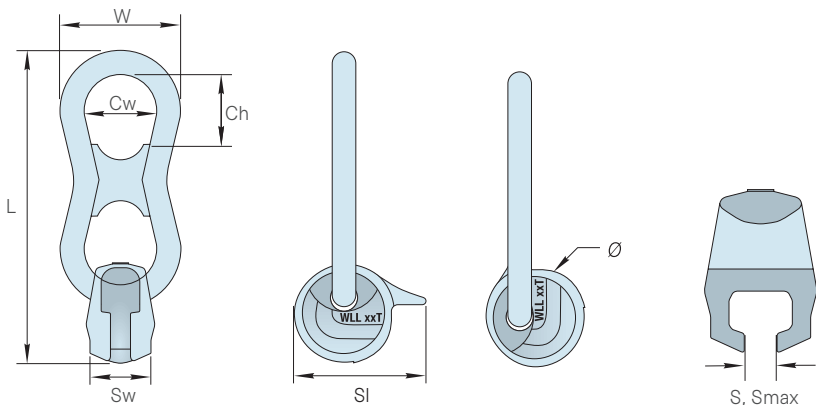
Halfen DEHA Universal Lifting Clutch
WLL 32t



The Ultimate Lifting Clutch Range

The Leviat range comprises the Ancon UniLift Locking Klaw (LK) and the Halfen DEHA Universal Lifting Clutch (LC).

The Ancon UniLift Locking Klaw is suitable for all working load limits up to 32t. The Halfen DEHA Universal Lifting Clutch is available with a Working Load Limit of 32t. These strong, safe, lightweight clutches are compatible with all spherical head lifting anchors from Leviat. Please contact us regarding compatibility with other lifting systems.



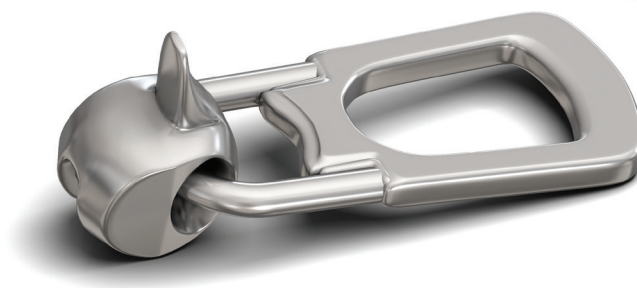
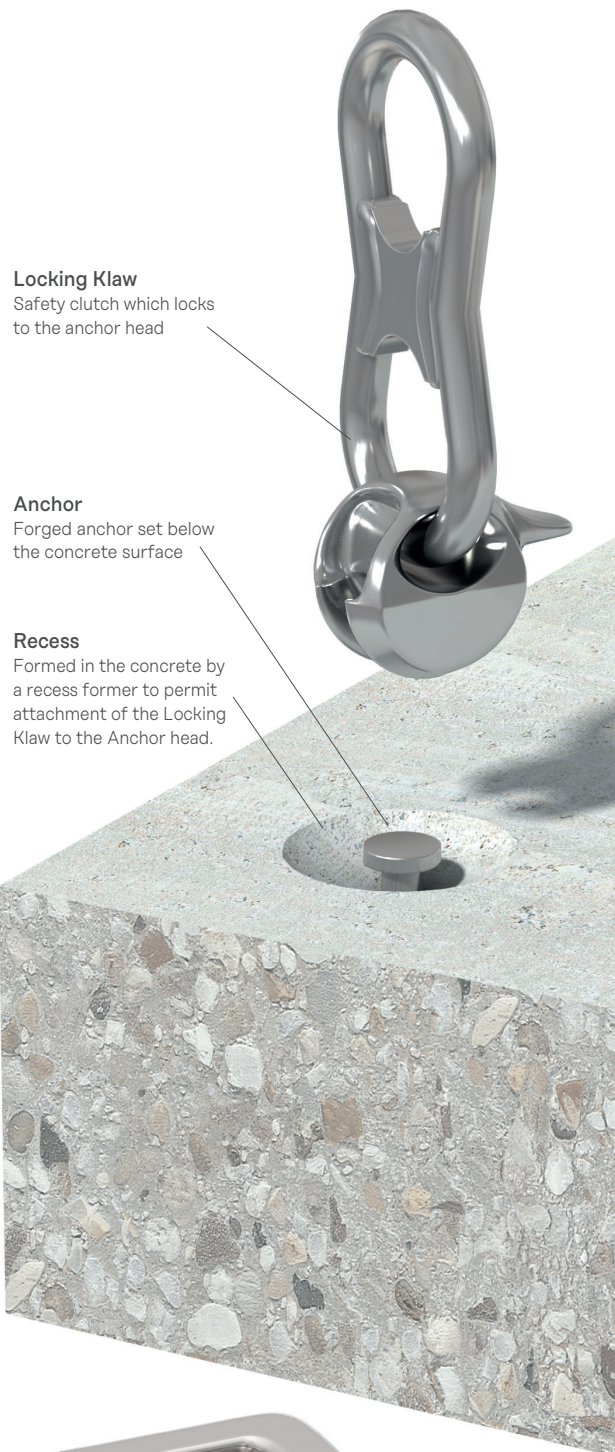
Part Codes and Nominal Dimensions

Part Code	Dimensions (mm)								
	L	W	Ch	Cw	Sw	SI	Ø	S	Smax
01LK	170	66	44	40	33	72	56	11	13
02LK	215	85	59	52	42	88	68	16	18
05LK	270	110	62	70	57	113	88	22	25
10LK	365	145	83	90	73	144	112	31	32
20LK	550	176	201	76	110	195	152	43	46
32LC*	680	272	189	172	160	300	180	52	58
32LK	850	286	291	166	155	233	182	55	58

*Halfen clutches carry a CE mark, more information is available on request.

Working Load Limits

Part Code	Annual Proof Load kN	Nominal WLL Anchor
01LK	24	1.3
02LK	36	2.5
05LK	60	5
10LK	120	10
20LK	240	20
32LC	384	32
32LK	384	32



Leviat

98 Kurrajong Avenue, Mount Druitt, Sydney, NSW 2770
1300 304 320
info.au@leviat.com

New South Wales | Victoria | Queensland | Western Australia

June 2022

Imagine. Model. Make.

Leviat.com