

Design Sheet - Windposts to EN 1993

Please complete questions 1-12 below. This will enable us to produce drawings for approval prior to manufacture.
One windpost specification per sheet.

Note: Where loads are provided, a partial safety factor (γ_Q) of 1.5 will be used to check serviceability.

1. Contact Details

Contact name

Company

Address

.....

Tel

Email

Project name

Project address

.....

.....

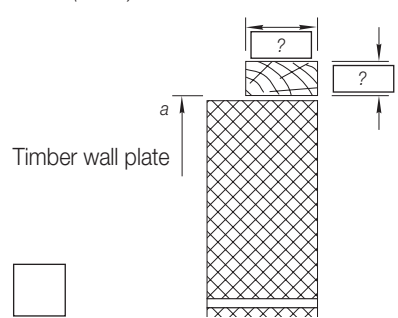
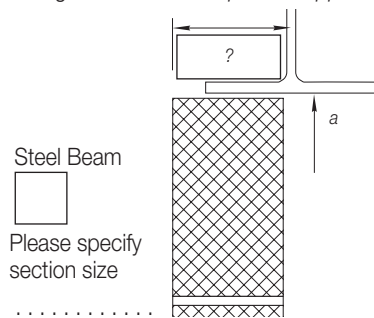
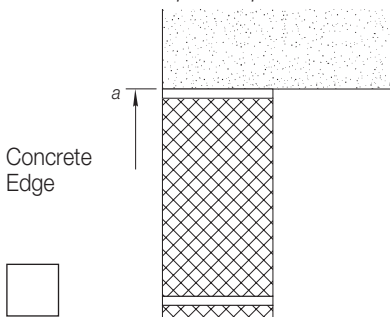
2. Purpose of Your Enquiry (tick box as appropriate)

New Quote Amendment to Existing Quote

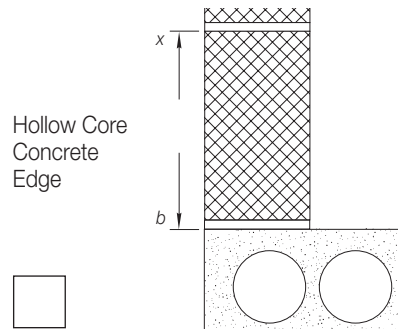
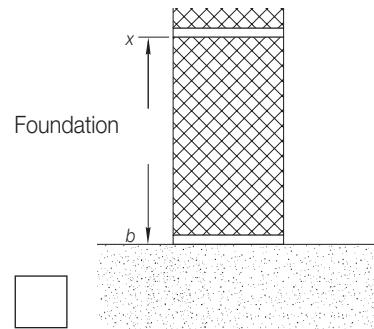
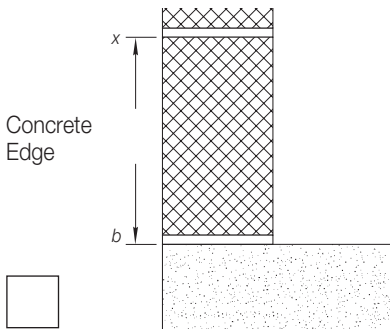
New Order Existing Order

7. Top Connection (tick one box only)

Please indicate required top connection from drawings below and complete all applicable dimensions (see ?).



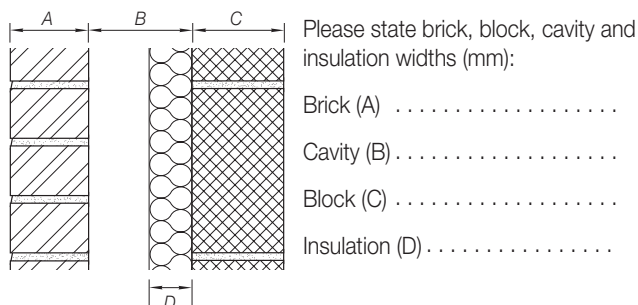
8. Base Connection (tick one box only)



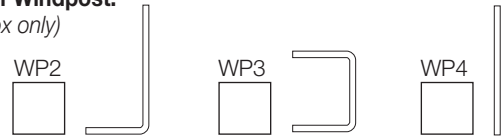
9. Slot Dimension

Please state dimension from base to first tie position to match coursing - b to x (mm)

10. Wall Construction



3. Type of Windpost: (tick one box only)



Note: Windposts will be detailed and supplied as orientated above unless otherwise requested.

3a. If WP2, indicate wall tie conditions crossing post



4. State either

Section Size e.g. 140 x 70 x 4 mm

or

Design Load/Post (kN) ULS e.g. 7kN

5. Number Required

Number of windposts required to this specification

6. Length

Structural Opening a to b (mm)

11. Drawings Attached?

No Yes (Please attach drawings showing section through building if available)

12. Special Conditions?

No Yes (Specify here or in an attachment)

Post will be designed with standard Ancon Windpost Ties i.e. SPN/SDN/SNS, unless special conditions are specified e.g. thin joint mortar, remedial application etc.